

TECHNICAL SPECIFICATION

COLOURS

MFC ELEMENTS



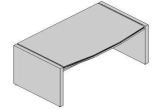
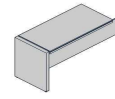
31 CANADIAN OAK



34 CHESTNUT



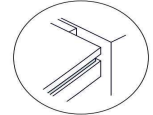
106 LOWLAND NUT



THICKENER



154 ANTHRACITE



COLUMN COLOUR



08 BLACK



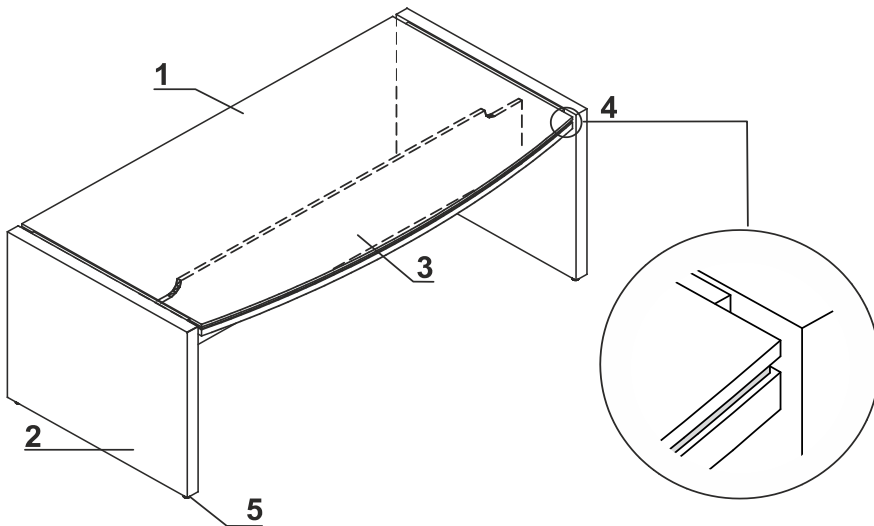
09 ALUMINUM



15 HIGH GLOSS WHITE

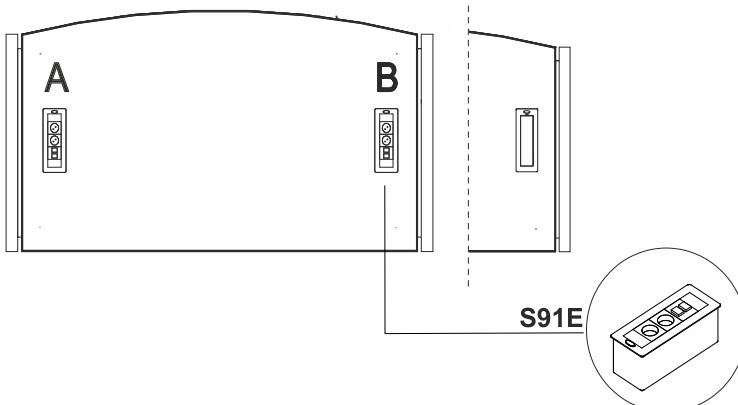


DESKS



1. **Worktop** - MFC 52mm(12+12+28mm), PVC edge
2. **Base** - MFC 54mm, PVC edge
3. **Modesty panel** - MFC 18mm, PVC edge
4. **Thickening element** - MFC 12mm, clour 154-anthracite
5. **Leveling** - 10mm range

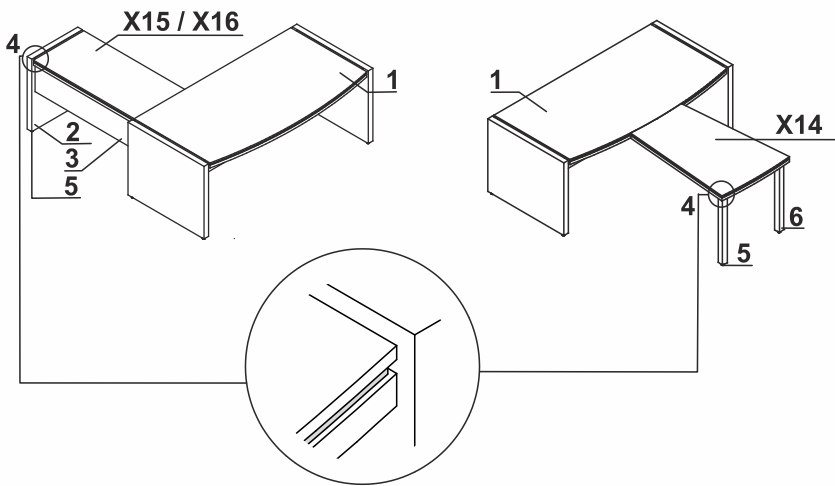
POSSIBLE MEDIAPORT LOCATION



Mediaport S91E - location A, B (1pc)  
 Mediaport S91E - 2x 230V, 2x RJ45

**TECHNICAL SPECIFICATION**

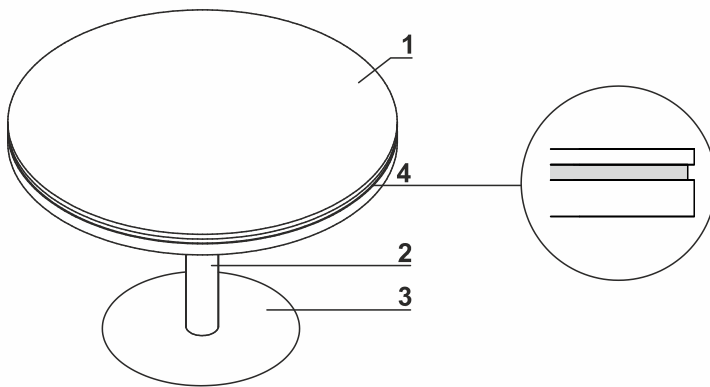
**DESK EXTENSIONS**



1. **Worktop** - MFC 52mm(12+12+28mm), PVC edge
2. **Base** - MFC 54mm, PVC edge
3. **Modesty panel** - MFC 18mm, PVC edge
4. **Thickening element** - MFC 12mm, clour 154-anthracite
5. **Leveling** - 5mm range
6. **Base** - MFC 61x61mm, PVC edge

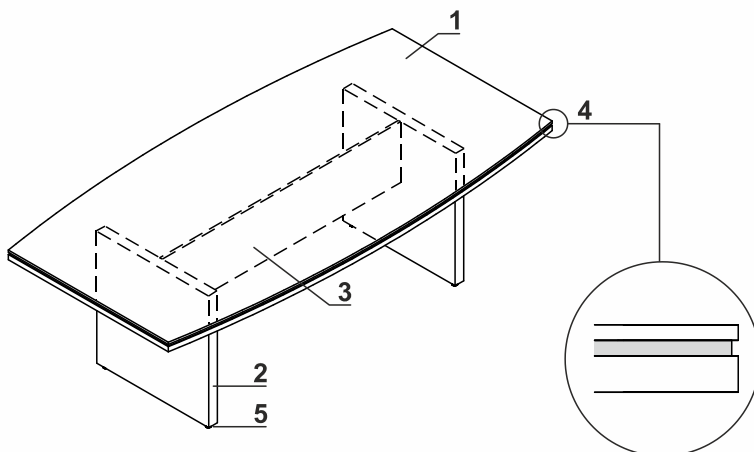
ATTENTION - X14 front extension, X15 right extension, X16 left extension

**DISC BASE MEETING TABLES**



1. **Worktop** - MFC 52mm(12+12+28mm), PVC edge
2. **Column** - powder coated steel
3. **Disc** - stainless steel
4. **Thickening element** - MFC 12mm, clour 154-anthracite

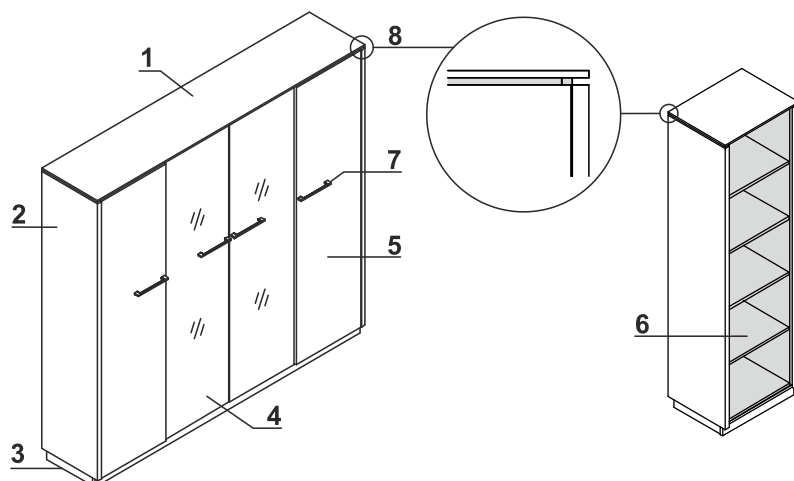
**MFC BASE MEETING TABLES**



1. **Worktop** - MFC 52mm(12+12+28mm), PVC edge
2. **Base** - MFC 54mm, PVC edge
3. **Modesty panel** - MFC 18mm, PVC edge
4. **Thickening element** - MFC 12mm, clour 154-anthracite
5. **Leveling** - 5mm range

## TECHNICAL SPECIFICATION

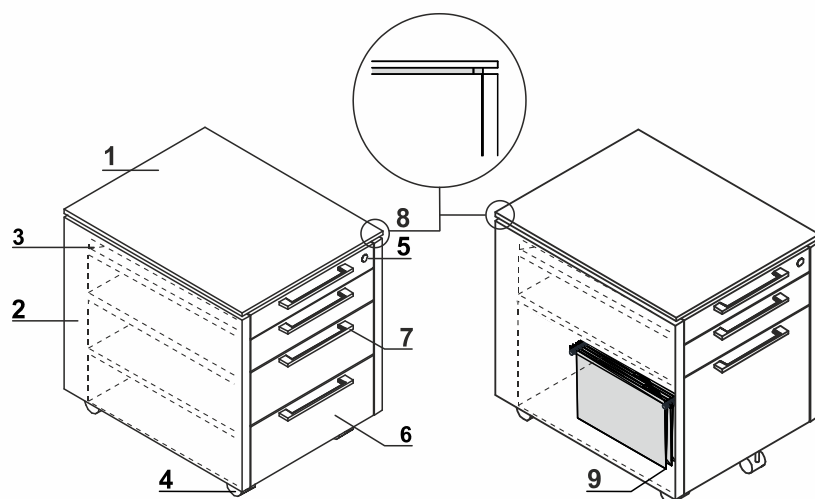
### STORAGES



1. **Top** - MFC 12mm, PVC edge
2. **Side panels** - MFC 28mm, PVC edge
3. **Base** - MFC 18mm, PVC edge
4. **Glass front** - transparent tempered glass 5mm
5. **Front** - MFC 18mm, PVC edge
6. **Body** - MFC 18mm, color 154 anthracite
7. Aluminium handle
8. **Thickening element, clour 154- anthracite**

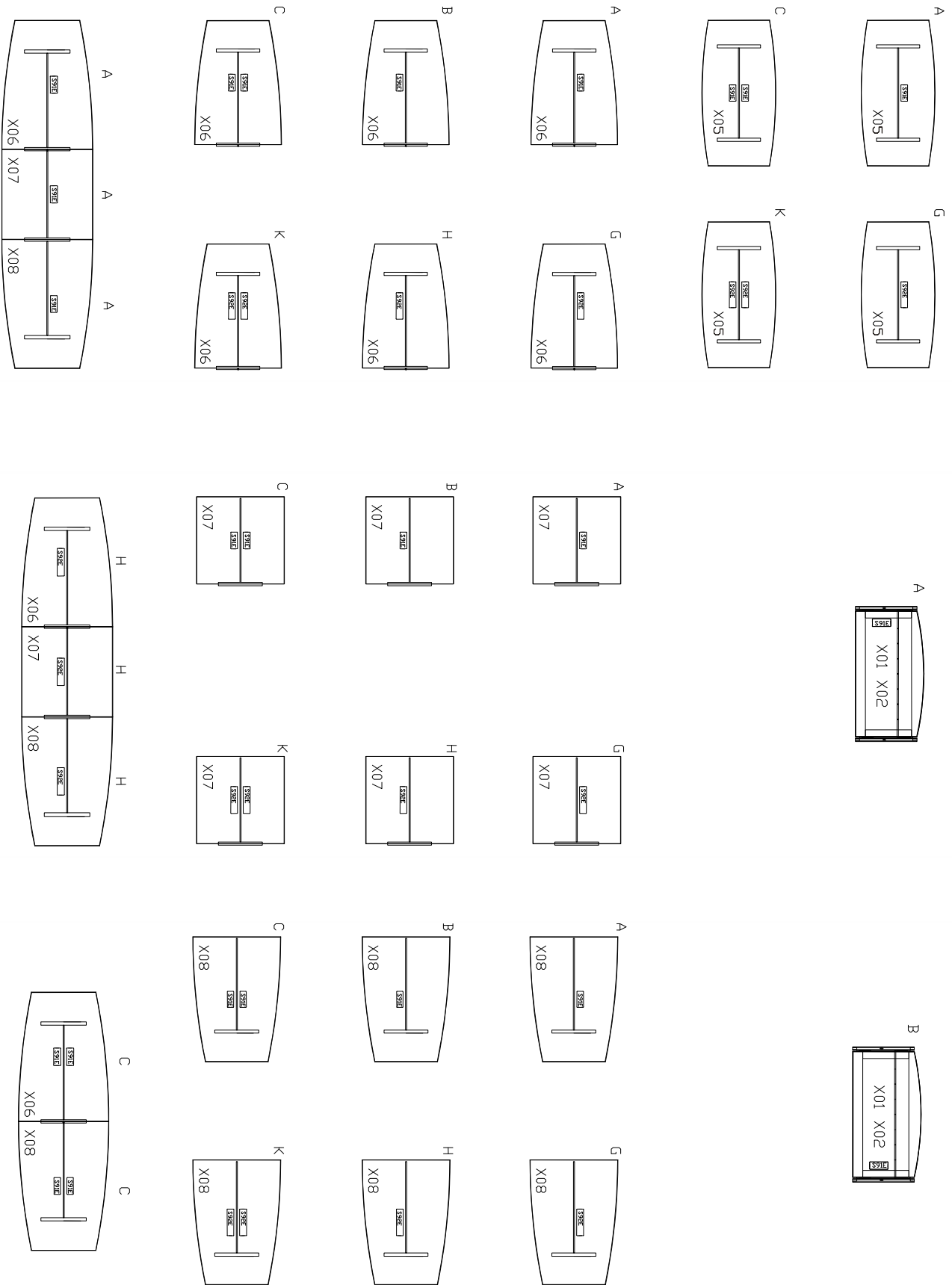
ATTENTION - Storages without lock; Possibility of adding espagnolette lock only for MFC doors - extra charge. Each door (L/R) needs separate lock. To order add letter "Z" at the end of product index.

### MOBILE PEDESTALS



1. **Top** - MFC 12mm, PVC edge
2. **Side panels** - MFC 28mm, PVC edge
3. Separate pencil drawer
4. **Castors** - Ø50mm, two with brakes
5. **Central lock** - foldable key
6. **Front** - MFC 18mm, PVC edge
7. Aluminium handle
8. **Thickening element, clour 154- anthracite**
9. **Suspension file drawer** - ball runners, max load 30kg, 100% extraction

POSSIBLE MEDIAPORT LOCATION



PRODUCT ILLUSTRATION	DIMENSIONS [mm]			INDEX SYMBOL						COMMENTS
	WIDTH	DEPTH	HEIGHT			kg	m3	pcs		

**DESKS**

	2000	1000	760	<b>X01</b>		172.0	0.501	4		media port location A,B,C,G,H,K
	1700	970	760	<b>X02</b>		156.8	0.451	4		media port location A,B,C,G,H,K

**DESK EXTENSTIONS**

	800	1200	760	<b>X14</b>		68.6	0.152	4		front extension, meeting table
	600	1270	760	<b>X15</b>		73.8	0.229	2		right side extension
	600	1270	760	<b>X16</b>		74.0	0.229	2		left side extension

**PEDESTALS**

	452	606	598	<b>XKD12</b>		35.4	0.183	1		file drawer
	452	606	598	<b>XKD13</b>		55.0	0.183	1		

DESCRIPTION

NET WEIGHT

VOLUME

NUMBER OF PACKAGES

PRODUCT ILLUSTRATION	DIMENSIONS [mm]			INDEX SYMBOL						COMMENTS
	WIDTH	DEPTH	HEIGHT			kg	m3	pcs		

**50H STORAGE**

	544	421	1871	<b>X56</b>		119.4	0.283	4		left door
	544	421	1871	<b>X57</b>		119.4	0.283	4		right door
	544	421	1871	<b>X59</b>		108.9	0.260	4		
	1032	421	1871	<b>X51</b>		167.9	0.386	5		
	1032	421	1871	<b>X52</b>		157.6	0.368	5		wardrobe/storage cabinet with slide out hanger
	1032	421	1871	<b>X55</b>		219.5	0.404	5		transparent, tempered glass doors
	1520	421	1871	<b>X5679</b>		225.5	0.519	6		
	2008	421	1871	<b>X5567</b>		336.9	0.668	7		transparent, tempered glass doors
	2496	421	1871	<b>X5119</b>		324.2	0.738	8		

DESCRIPTION

NET WEIGHT

VOLUME

NUMBER OF PACKAGES

PRODUCT ILLUSTRATION	DIMENSIONS [mm]			INDEX SYMBOL						COMMENTS
	WIDTH	DEPTH	HEIGHT			kg	m3	pcs		

50H STORAGEES

	2496	421	1876	<b>X5129</b>		313.9	0.719	8		wardrobe part with slide out hanger
--	------	-----	------	--------------	--	-------	-------	---	--	-------------------------------------

30H STORAGEES

	544	421	1167	<b>X37</b>		79.1	0.176	4		right door
	544	421	1167	<b>X36</b>		79.1	0.176	4		left door
	544	421	1167	<b>X39</b>		72.8	0.169	4		
	1032	421	1167	<b>X31</b>		111.7	0.255	4		
	1032	421	1167	<b>X35</b>		114.7	0.284	5		transparent, tempered glass doors
	2008	421	1167	<b>X311</b>		185.4	0.425	5		
	1520	421	1167	<b>X3679</b>		151.6	0.331	6		
	2008	421	1167	<b>X3567</b>		194.3	0.451	7		transparent, tempered glass doors

DESCRIPTION

NET WEIGHT

VOLUME

NUMBER OF PACKAGES

PRODUCT ILLUSTRATION	DIMENSIONS [mm]			INDEX SYMBOL						COMMENTS
	WIDTH	DEPTH	HEIGHT			kg	m3	pcs		

**30H STORAGEES**

	2496	421	1167	<b>X3119</b>		218.5	0.499	6		
--	------	-----	------	--------------	--	-------	-------	---	--	--

**20H STORAGEES**

	544	421	820	<b>X26</b>		57.0	0.146	4		left door
	544	421	820	<b>X27</b>		57.0	0.146	4		right door
	1032	421	820	<b>X21</b>		80.9	0.192	4		
	2008	421	820	<b>X2167</b>		140.7	0.358	6		



PRODUCT ILLUSTRATION	DIMENSIONS [mm]			INDEX SYMBOL						COMMENTS
	WIDTH	DEPTH	HEIGHT			kg	m3	pcs		

**MEETING TABLES**

	2400	1200	760	<b>X05</b>		232.0	0.561	4		media port location A, G(1pcs.) or C,K(2pcs)
	2000	1400	760	<b>X06</b>		227.1	0.554	4		begining element for conference table, media port location A,B,G,H (1pcs) or C,K (2pcs)
	1400	1400	760	<b>X07</b>		179.2	0.364	4		middle element of conference table, media port location A, B,G,H (1pcs) or C,K (2pcs)
	2000	1400	760	<b>X08</b>		200.2	0.492	4		end element of conference table, media port location A,B,G,H (1pcs) or C,K (2pcs)
	800	800	550	<b>X19</b>		76.9	0.144	2		
	800	800	760	<b>X22</b>		92.0	0.223	2		
	1200	1200	756	<b>X120</b>		60.0	0.165	3		column ø 100 mm, disc ø 620 mm

**ACCESSORIES**

	267	110	93	<b>S91E</b>		1.0	0.010	1		- 2 x 230V - 2 x RJ45
	426	110	93	<b>S92E</b>		1.0	0.014	1		- 4 x 230V - 4 x RJ45

DESCRIPTION

NET WEIGHT

VOLUME

NUMBER OF PACKAGES